

VRLA Rechargeable Battery

EVP70-12



FEATURES

- Absorbent Glass Mat technology for efficient gas recombination
- Maintenance free(no water topping-up required)
- No free acid(Non-spillable battery)
- Can be used in any orientation(excluding used inverted)
- The battery is designed for high power & high cyclic usage


APPLICATIONS

- UPS
- Wheelchairs
- Lawn Mowers
- Equipment
- Golf-Carts
- Electronic Medical Equipment




SPECIFICATIONS

Nominal Voltage	12 V
Nominal Capacity	70Ah @ 20 hour rate F.V.(1.75V/cell)
Approx. Weight	25.0Kg(55.13lbs.)
Terminals	B5 (Fitting M6 bolt & nut) I2 is optional
Internal Resistance	≤4mΩ (Fully Charged)
Max. Discharge Current	650 A (5 sec.)
Max. Charge Current	21 A
Operating Temperature Range	Charge 0°C~40°C(32°F~104°F) Discharge -20°C~50°C(-4°F~122°F) Storage. -20°C~40°C(-4°F~104°F)
Container Material	Standard: ABS(UL94 HB) EVP70-12 Optional: Flame Retardant ABS(UL94 V-0) EVP70-12FR

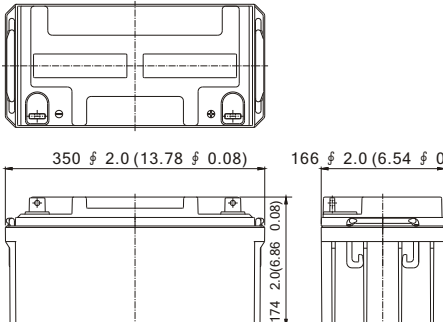
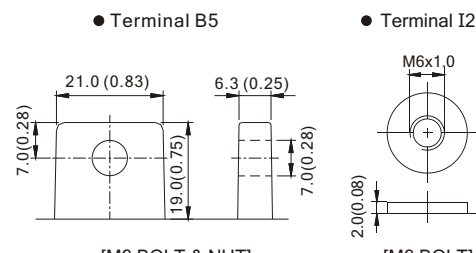


MH19884



C4M20310-2474-E-16

- IEC 61056-1
- JIS C 8702-1
- GB/T 19639.1

DIMENSION(mm/inch)	OUTER DIMENSIONS	TERMINAL TYPE
<ul style="list-style-type: none"> ■ Length 350±2.0 (13.78±0.08) ■ Width 166±2.0 (6.54±0.08) ■ Container Height 174±2.0 (6.85±0.08) ■ Total Height 174±2.0 (6.85±0.08) 		<ul style="list-style-type: none"> ● Terminal B5 ● Terminal I2  <p>[M6 BOLT & NUT] [M6 BOLT]</p> <p>Terminal Hardware Initial Torque: B5/I2(5.5Nm±5%)</p>

Constant power discharge characteristics at 25 °C/77 °F								Unit: W
Discharge Time F.V. (V/cell)	15 Min	30 Min	1 Hr	3 Hr	5 Hr	10 Hr	20 Hr	
1.80V	1467	944	538	223	141	78.4	41.1	
1.75V	1541	979	554	228	143	80.0	42.0	
1.70V	1585	1001	566	230	144	80.5	42.2	
1.65V	1622	1016	572	232	145	80.7	42.3	
1.60V	1651	1029	577	233	145	80.7	42.3	

Constant current discharge characteristics at 25 °C/77 °F								Unit: A
Discharge Time F.V. (V/cell)	15 Min	30 Min	1 Hr	3 Hr	5 Hr	10 Hr	20 Hr	
1.80V	132.12	83.48	45.20	18.56	11.73	6.54	3.43	
1.75V	140.03	86.65	46.51	19.03	11.93	6.67	3.50	
1.70V	144.12	88.58	47.56	19.17	12.03	6.71	3.52	
1.65V	147.40	89.95	48.08	19.36	12.08	6.72	3.53	
1.60V	150.04	91.06	48.48	19.42	12.12	6.72	3.53	

All data and artworks shall be changed without prior notice, BB reserves the right to explain and update the information contained hereinto.

For operation, please refer to the instruction from technical manual.

B/2 REV. May. 2021

Powered by **B.B. Tech(Changsha)Co., Ltd.**